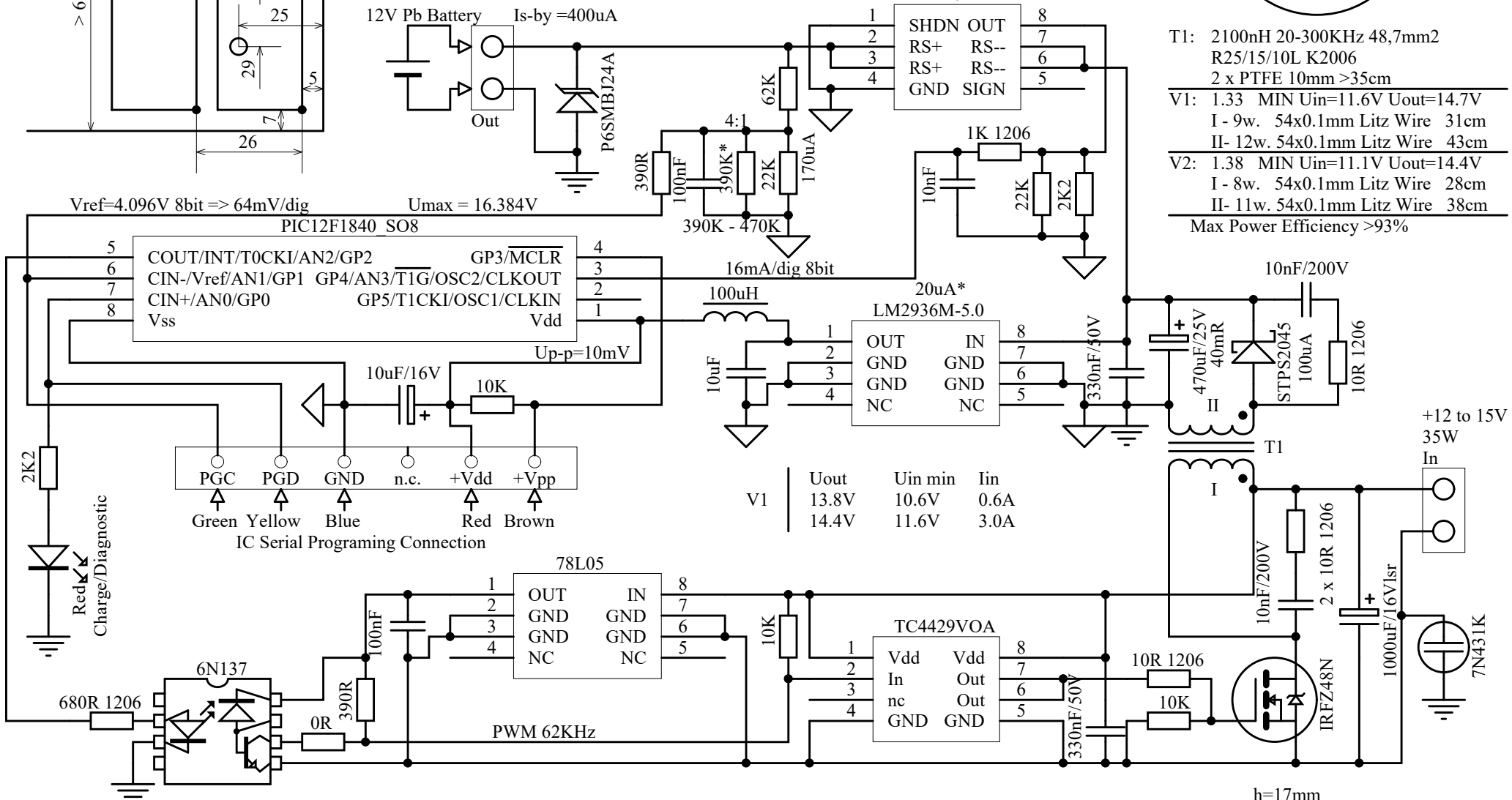


- T1: 2100nH 20-300KHz 48,7mm2
R25/15/10L K2006
2 x PTFE 10mm >35cm

- V1: 1.33 MIN Uin=11.6V Uout=14.7V
I - 9w. 54x0.1mm Litz Wire 31cm
II- 12w. 54x0.1mm Litz Wire 43cm

- V2: 1.38 MIN Uin=11.1V Uout=14.4V
I - 8w. 54x0.1mm Litz Wire 28cm
II- 11w. 54x0.1mm Litz Wire 38cm

- Max Power Efficiency >93%



V1	Uout	Uin min	Iin
	13.8V	10.6V	0.6A
	14.4V	11.6V	3.0A